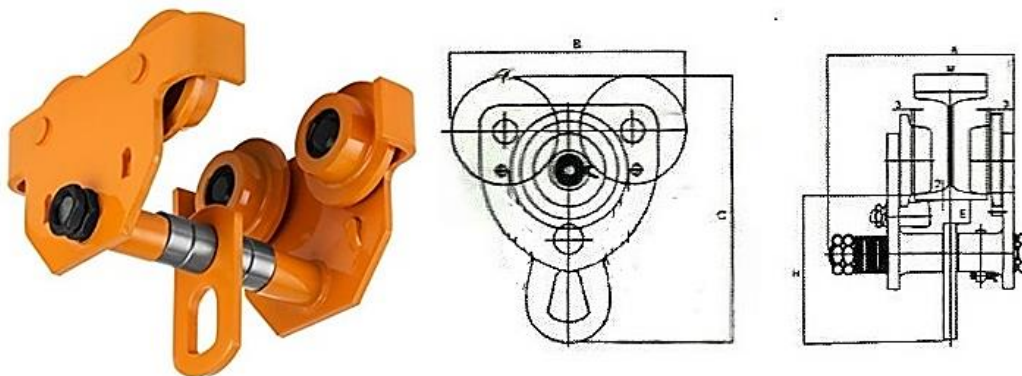


FORCE

TROLLEY MANUAL DE ROZAMIENTO MODELO GCT



GEARED TROLLEY GT SERIES SPECIFICATION

Notes: the standard hand Pulley Chain is 3 meters.

Capacity	I - Viga	N.W./KGS	A	B	C	H
0.5T	75-125 mm	6.5	250	174	220	150
1T	75-125 mm	10.0	255	210	240	170
1.5T	75-125 mm	14.0	287	220	260	180
2T	100-150mm	15.0	287	226	310	180
3T	100-150mm	25.0	300	275	370	210
5T	125-175 mm	38.0	345	300	390	220
10T	125-175 mm	57.0	410	340	440	290